



**PL-1646**  
*Sandbar Series*  
Porcelain Sink

**Features**

- Rectangular Basin
- Overflow Drain
- Nonporous - Hygienic

**Material**

- Vitreous China



**Installation**

- Undermount

**Available Color/Finishes**  
Intended for reference only

Color	Description
<input type="checkbox"/>	White

**Codes/Standards**

- ADA Compliant

---

6140 Ulmerton Road Clearwater, FL 33760

Phone: (727) 388-9895

Fax: (727) 362-1281

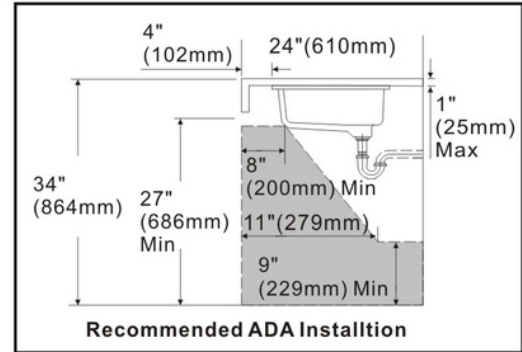
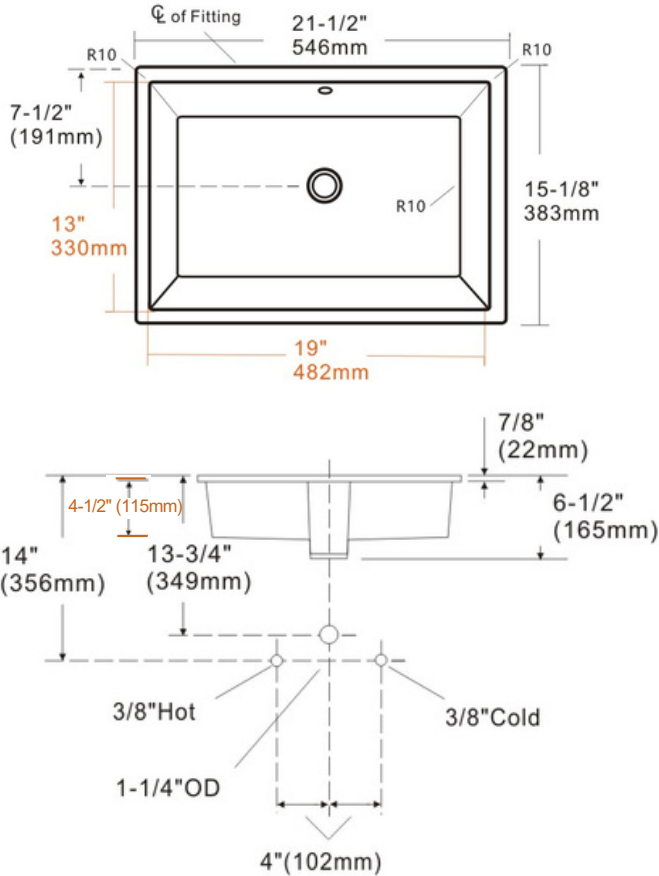
*For the most current Specification Sheet, go to [www.pelicansinks.com](http://www.pelicansinks.com)*





# PL-1646

Sandbar Series  
Porcelain Sink



## Technical Information

All product dimensions are nominal

Interior Measurements: 19" x 13" x 4 1/2"

Exterior Measurements: 21 1/2" x 15 1/8" x 6 1/2"

Bowl Configuration: Single

Finish: Vitreous China

## Installation Information

Install this product according to the installation instructions.

## Limited Lifetime Warranty

See website for detailed warranty information.

6140 Ulmerton Road Clearwater, FL 33760

Phone: (727) 388-9895

Fax: (727) 362-1281

For the most current Specification Sheet, go to [www.pelicansinks.com](http://www.pelicansinks.com)

